

# KML-5

3 ~ 120 kg Capacity

## SINGLE POINT

### APPLICATIONS

Retail, bench and counting scales

### FEATURES

Single point load cell

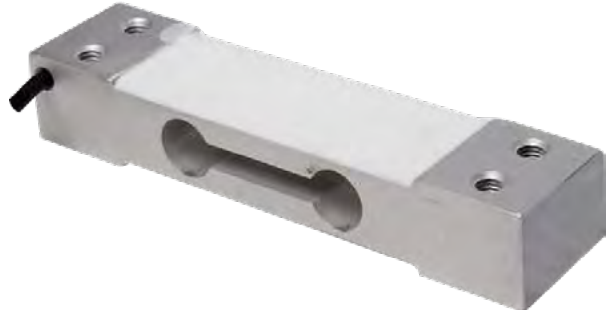
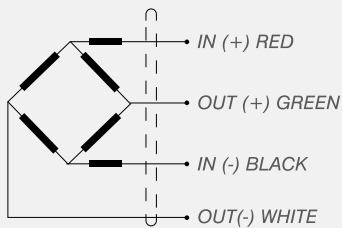
Material: aluminum alloy

Surface: anodized treatment

Protection: IP65

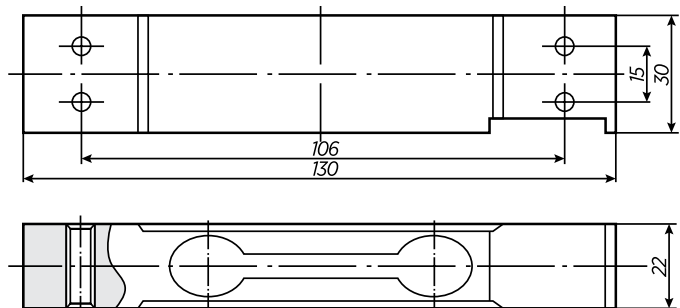
Maximum Platform Size:

350x350 mm



### SPECIFICATIONS

Rated Load	3-120(Kg)
Rated Output	2.0mV/V±5%
Zero Balance	±1%F.S
Input Resistance	400±10Ω
Output Resistance	350±3Ω
Excitation Voltage	9-12VDC
Nonlinearity	0.02%F.S
Hysteresis	0.02%F.S
Repeatability	0.02%F.S
Creep(30min)	0.02%F.S
Operating Temperature	-20°C To +65°C
Temperature Effect on Zero	0.03%F.S/10°C
Temperature Effect on Span	0.02%F.S/10°C
Insulation Resistance	5000MΩ(50VDC)
Safe Overload	150%F.S
Ultimate OverLoad	200%F.S
Cable	420mm(Φ3mm 4-wire shielding cable. Ground wire: yellow)



Dimensions (mm)